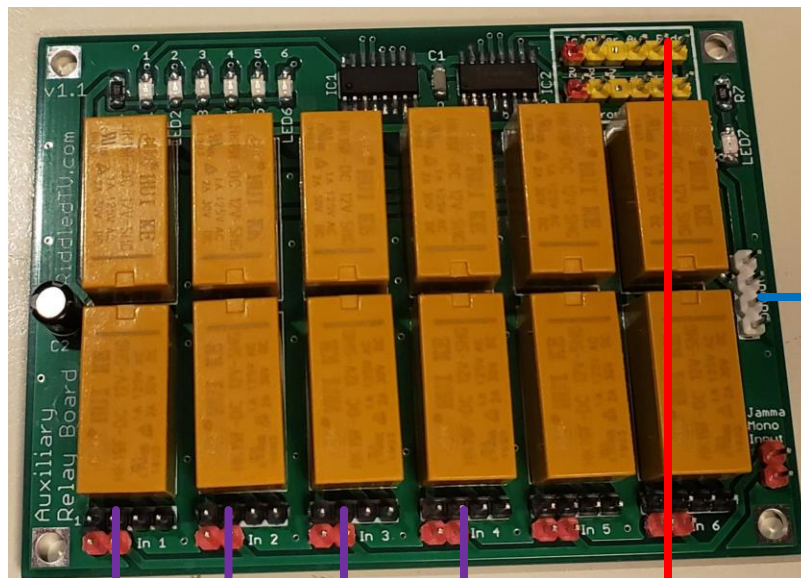
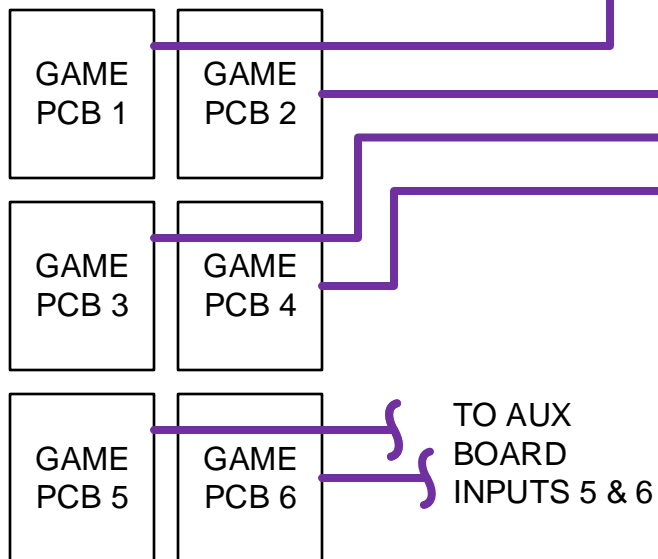


NOTE(S)
1. BOARD SIZES NOT TO SCALE

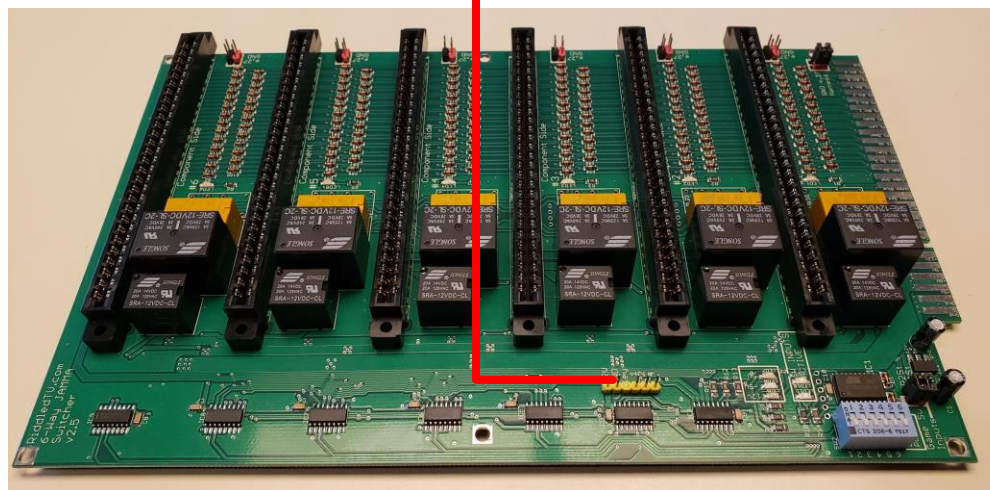
AUXILIARY
RELAY
BOARD



OUTPUT



6 PIN CABLE,
INCLUDED WITH
AUX RELAY BOARD.



SWITCHER
MAINBOARD

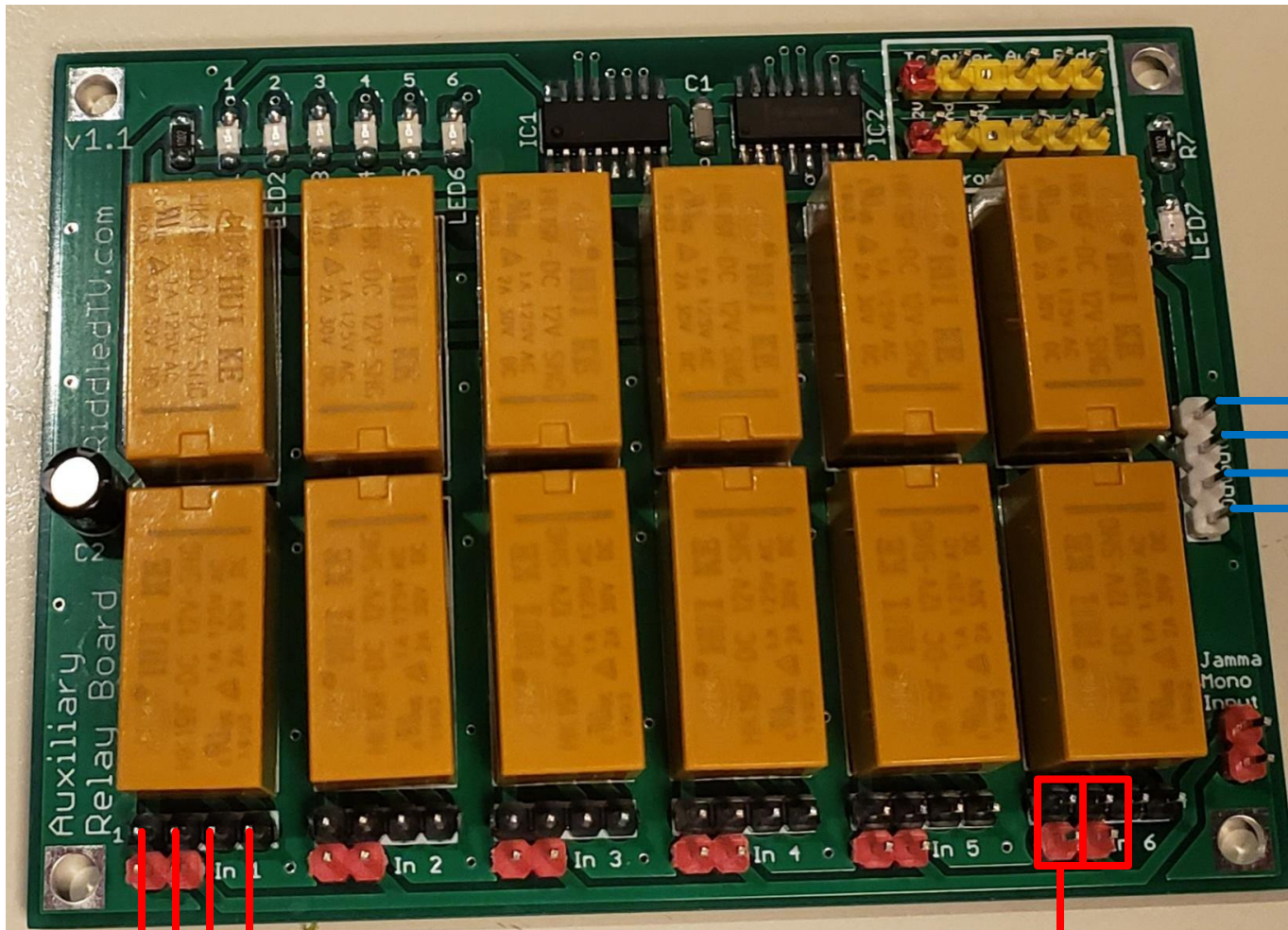
Rev	Date	Description

Designed: Jim Riddle
Drawn: Jim Riddle
Date: May 11, 2020

DRAWING TITLE
**6 WAY
JAMMA SWITCHER
-
AUXILIARY RELAY
BOARD**

DRAWING NUMBER
AUX-1

AUXILIARY
RELAY BOARD



OUTPUT PINS
TO SPEAKERS:

- RIGHT (+)
- RIGHT (-)
- LEFT (-)
- LEFT (+)

CONNECT
SPEAKER
CABLES FROM
JAMMA
HARNESS

- RIGHT (+)
- RIGHT (-)
- LEFT (-)
- LEFT (+)

SPEAKER OUTPUTS FROM
GAMEBOARD 1
(SIMILAR FOR BOARDS 2-6)
SEE NOTE 1

SEE NOTE 1

NOTE(S)

1. PLACE 2 JUMPERS FROM RED TO BLACK PINS TO USE MONO SOUND FROM JAMMA HARNESS
2. ALL CONNECTORS USE 0.100 INCH (2.54mm) SPACING.

Rev	Date	Description

Designed:	Jim Riddle
Drawn:	Jim Riddle
Date:	May 11, 2020

DRAWING TITLE
AUXILIARY RELAY BOARD
-
STEREO
SPEAKER INPUTS

DRAWING NUMBER
AUX-2

